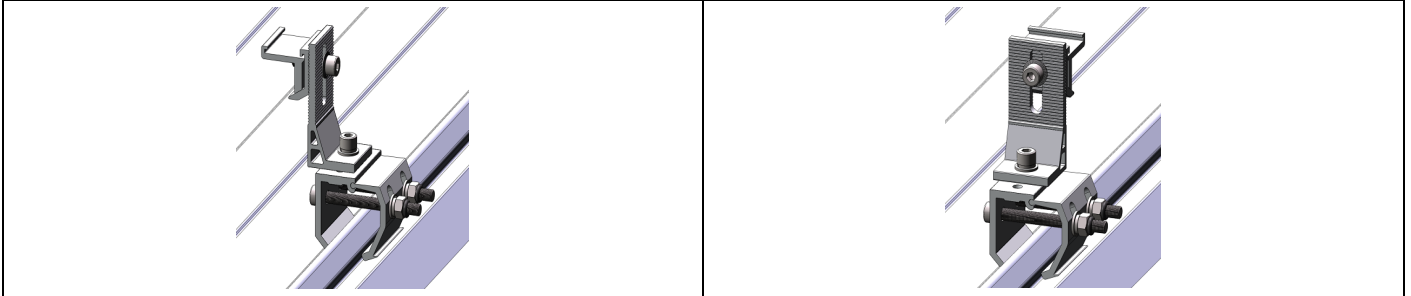
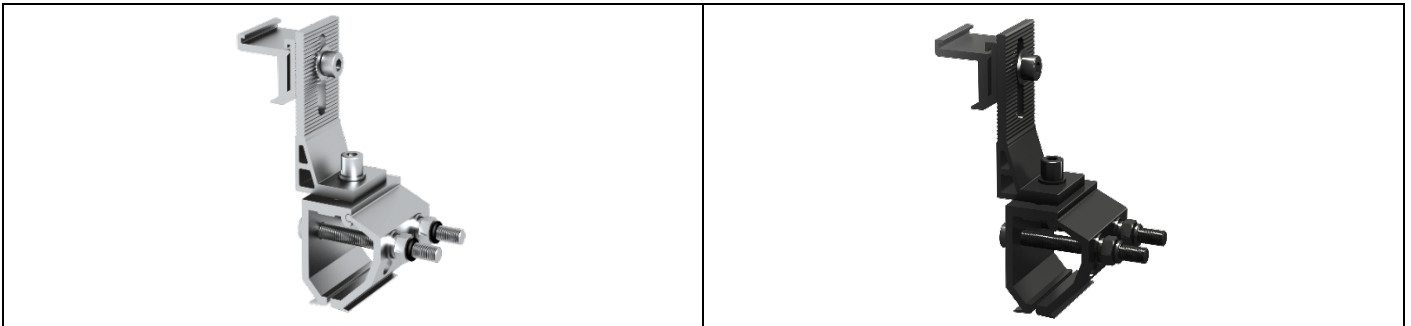


## Universal Klip-lok Interface pre-assembly with Tin Interface A with ezClick module

### Assembly

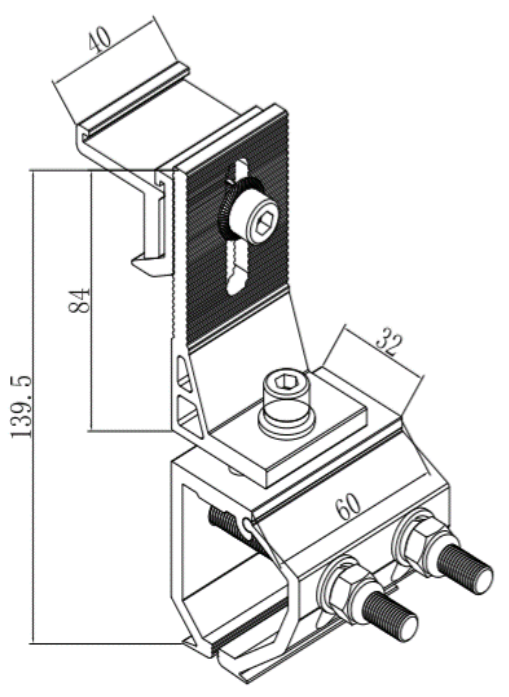


### Component



Universal Klip-lok Interface pre-assembly with Tin Interface A with ezClick module  
Part No.: ER-I-34/05A/EZC, ER-I-34/05A/EZC/BA

### Technical Specification

Roof type	Klip-Lok 406, Klip-Lok 700 Classic, Klip-Lok 700 High Strength, Speed Deck Ultra, Kingklip 700, Topdek 700, Metroll Metlok 700, Metroll Metlok 500, Speed Deck 500, Revolution Maxline 340, Steeline Lokdek 680, Steeline Steel-Rib 500 (ST28), Lysaght Longline 305, BlueScope Rev-Klip 700	
Fixing method	Fixing on crown/rib of metal sheet	
Dimensions	L60mm*W88mm*H139.5mm	
Weight	ER-I-34/05A/EZC: 0.351 kg ER-I-34/05A/EZC/BA: 0.343 kg	
Packaging	10 units per pack; 4 packs (40 units) per carton	
Material	Main parts: AL6005-T5 Fastener: Screws, Washers are made of SUS 304; Nuts are made of carbon steel with Zinc-nickel alloy coating O rubber rings: NBR	
Color	Silver (anodized, no less than 10µm) Black (full anodized, no less than 10µm )	
Standard	AS NZS1170.2-2011	